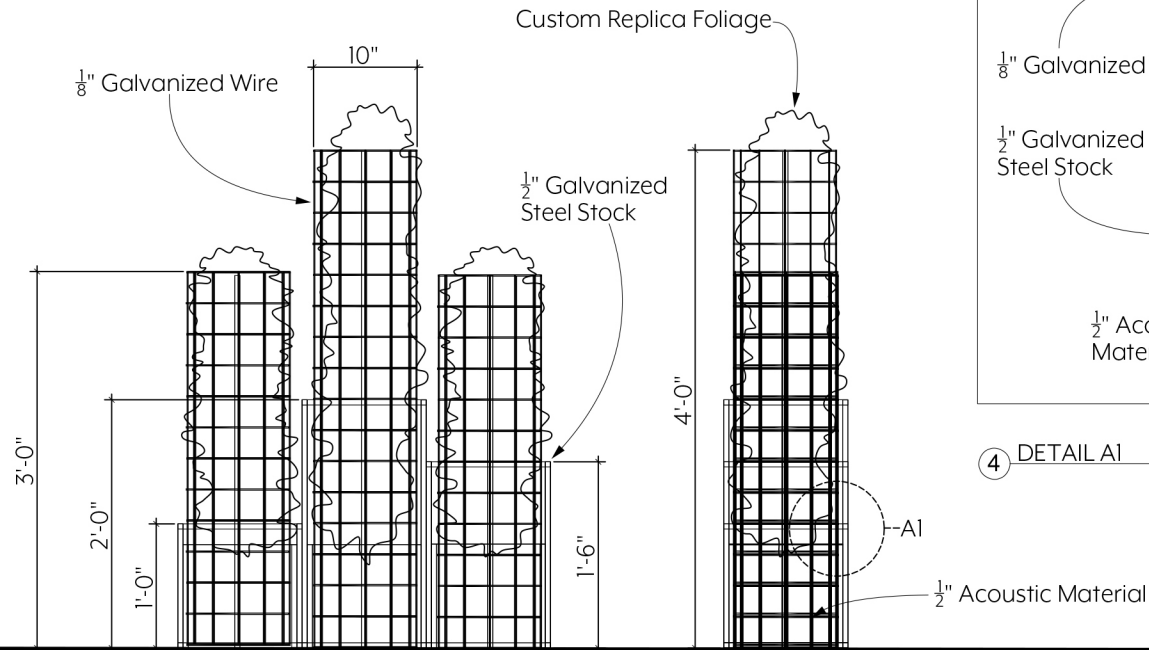
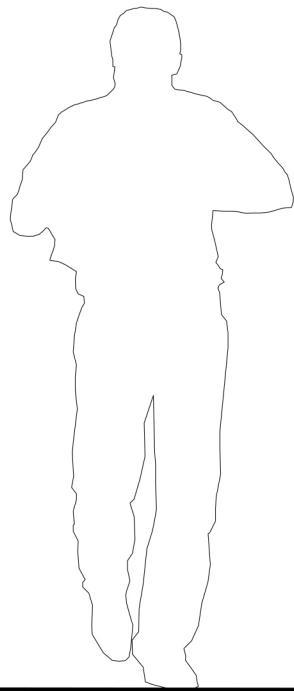
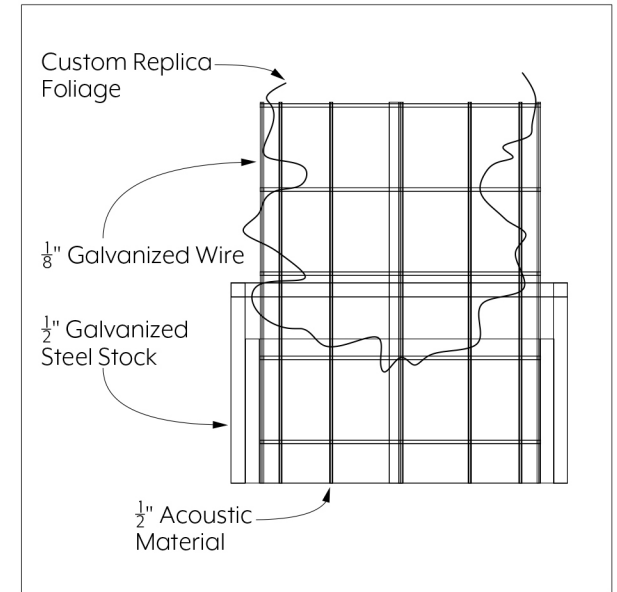


③ TOP VIEW



① FRONT VIEW

② SIDE VIEW



④ DETAIL A1

CUSTOM SIZING AND THICKNESS AVAILABLE
 CUSTOM COLORS AND DESIGNS AVAILABLE
 MULTIPLE ATTACHMENT SYSTEM OPPORTUNITIES



PROJECT: PLANT SCREEN BOXES

SCALED AS NOTED

ALL DIMENSIONS + / - $\frac{1}{16}$

DATE: 07/08/2021
 PRODUCT ID: BIO-PSB-FS

SHEET
1.1
 OF 1.1