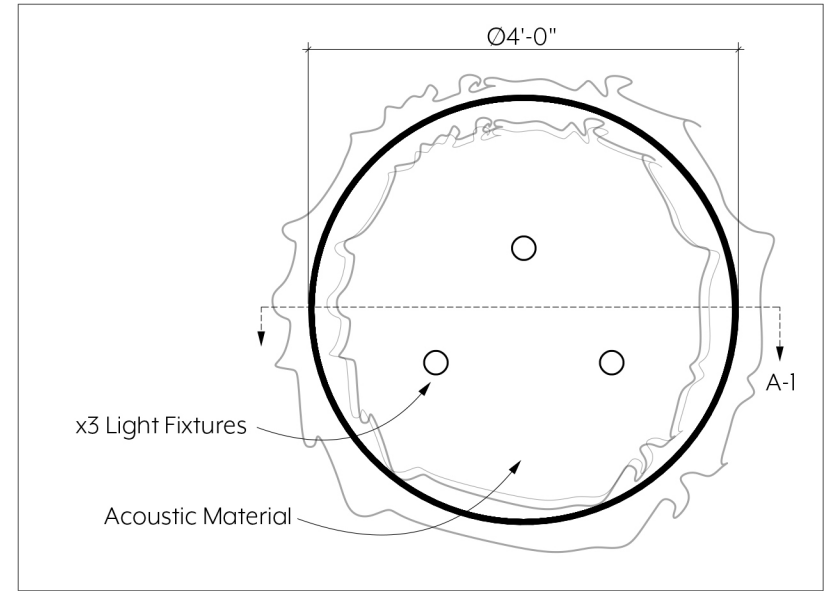
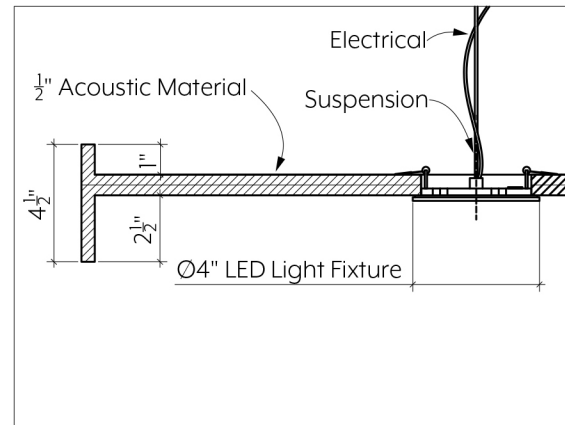


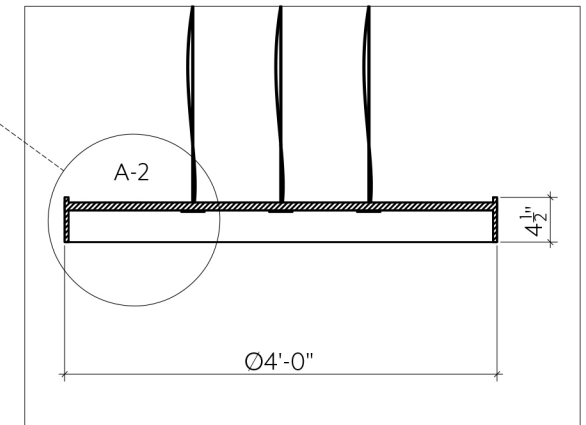
① FRONT VIEW



④ TOP VIEW



② A-2 Detail View



③ A-1 Section View

CUSTOM SIZING AND THICKNESS AVAILABLE
 CUSTOM COLORS AND DESIGNS AVAILABLE
 MULTIPLE ATTACHMENT SYSTEM OPPORTUNITIES



PROJECT: HALO PLANTER

SCALED AS NOTED

ALL DIMENSIONS + / - 1/16"

DATE: 07/08/2021

PRODUCT ID: BIO-HLP-SP

SHEET
 1.1
 OF 1.1