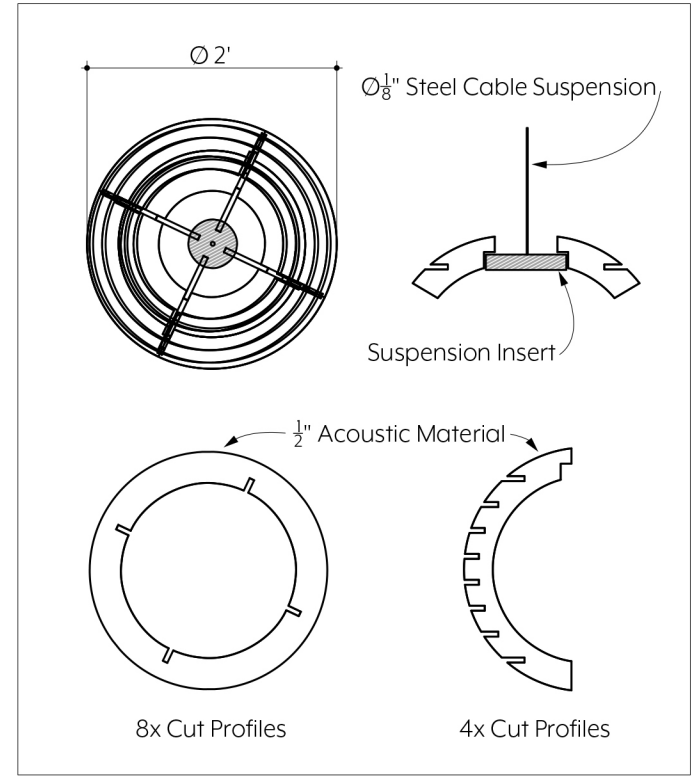



① FRONT VIEW



② DETAIL VIEW

CUSTOM SIZING AND THICKNESS AVAILABLE
 CUSTOM COLORS AND DESIGNS AVAILABLE
 MULTIPLE ATTACHMENT SYSTEM OPPORTUNITIES

	PROJECT: HOLLOW GLOBE PLANTER	SCALED AS NOTED ALL DIMENSIONS + / - $\frac{1}{16}$	DATE: 07/08/2021 PRODUCT ID: BIO-HGP-SPW	SHEET 1.1 OF 1.1
---	-------------------------------	--	---	-------------------------------