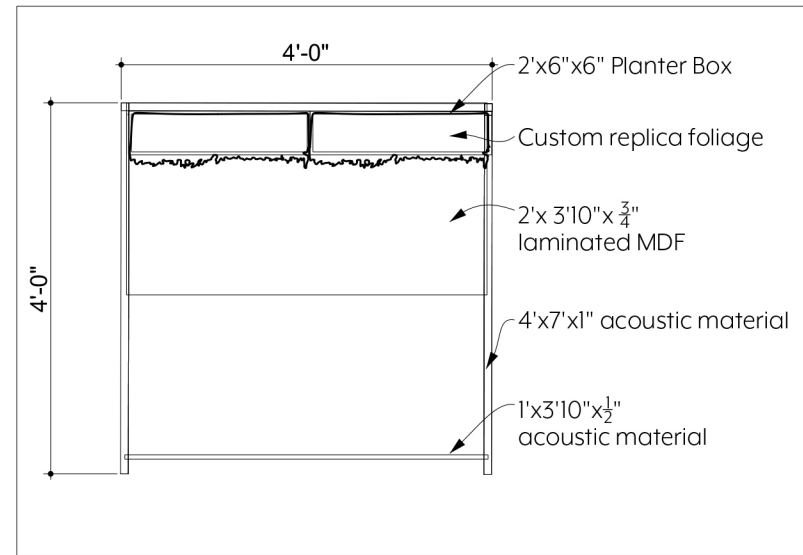
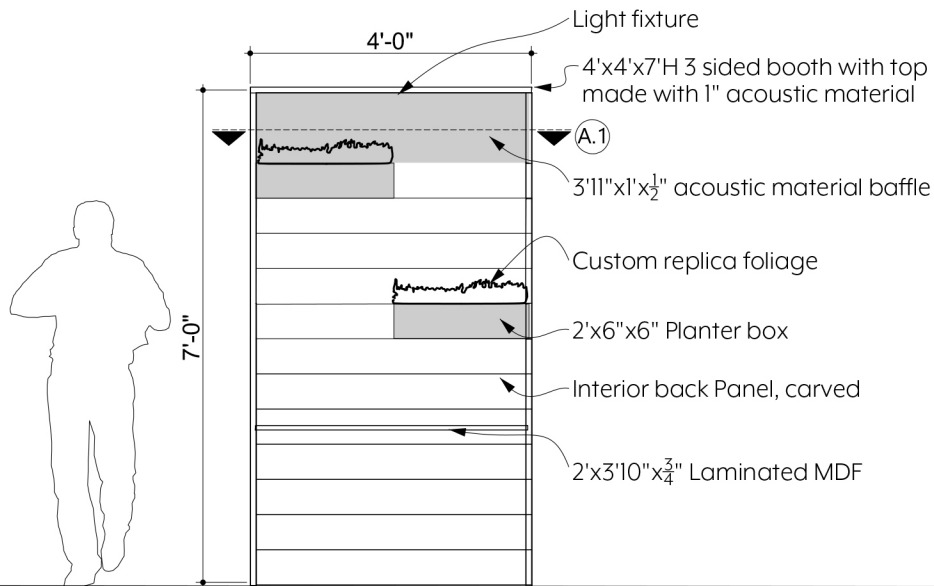


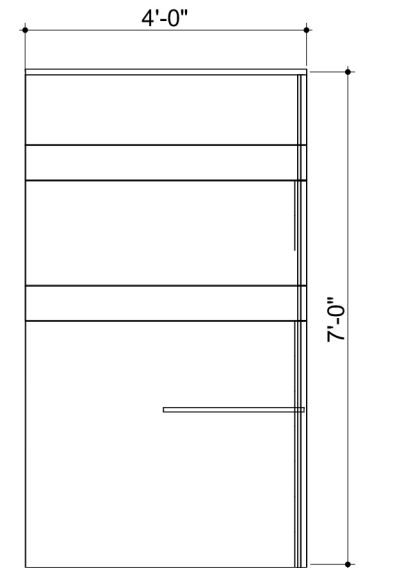
3 TOP VIEW



4 SECTION A.1



1 FRONT VIEW



2 SIDE VIEW

CUSTOM SIZING AND THICKNESS AVAILABLE
 CUSTOM COLORS AND DESIGNS AVAILABLE
 MULTIPLE ATTACHMENT SYSTEM OPPORTUNITIES



PROJECT: Balance Booth

SCALED AS NOTED

DATE: 07/13/2021
 PRODUCT ID: BIO-BLB-FS

SHEET
 1.1

ALL DIMENSIONS + / - 1/16

OF 1.1