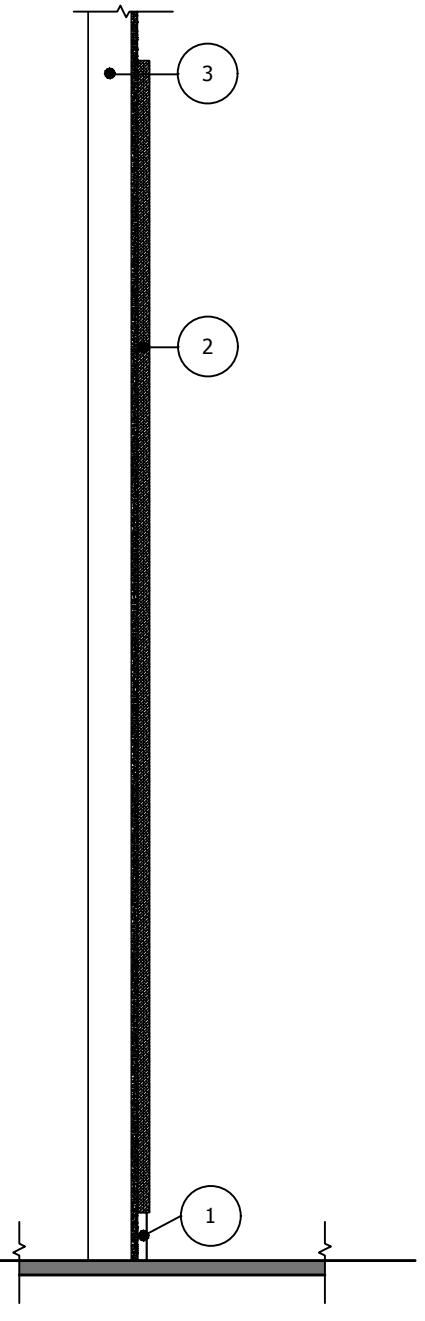
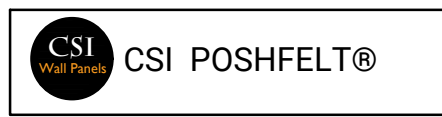
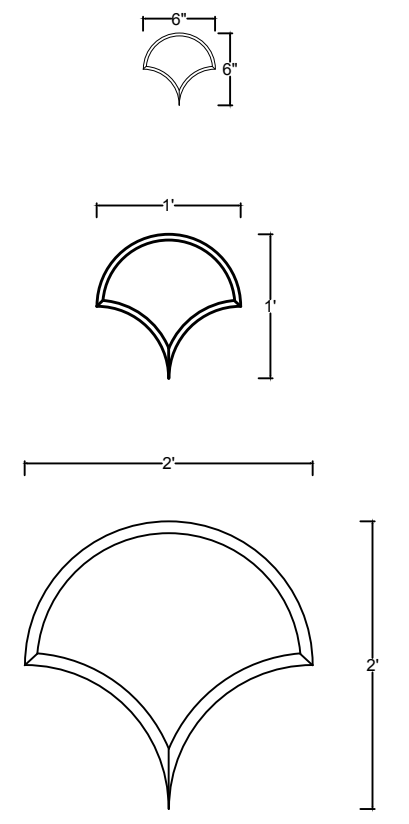


4 ELEVATION  
Scale: 3/4" = 1'-0"



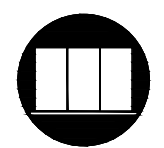
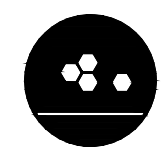
3 SECTION  
Scale: 3/4" = 1'-0"

- KEY
- 1 BASEBOARD BY OTHERS
  - 2 POSHFELT® PANEL
  - 3 EXISTING WALL ASSEMBLY



PROJECT POSHFELT® PLANAR  
 ADDRESS:  
 COMM. #:   
 DATE: 24.10.18  
 REVISED:  
 DRAWN: MK CHECKED: PC

ID#PFCPLA2752  
 CSI PANEL LAYOUT  
 SCALE: SCALED FOR 11x17  
 NOTE:



SHEET  
 1.1  
 OF 1.1