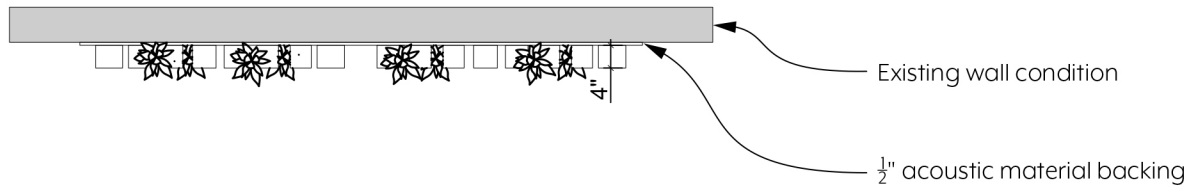
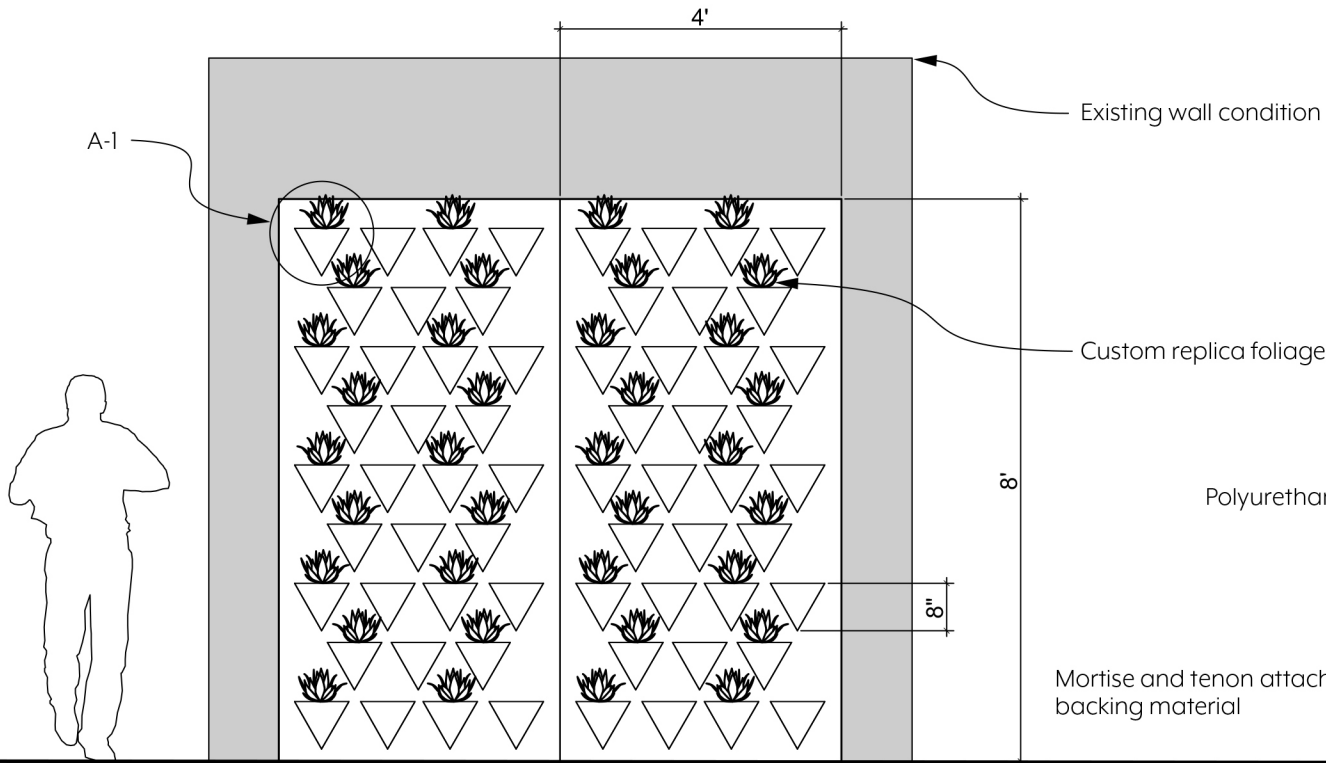


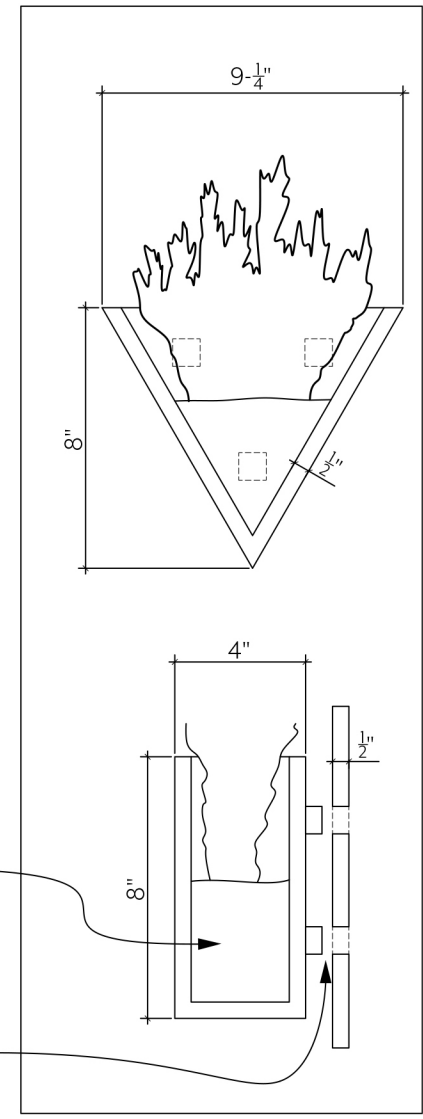
③ TOP VIEW




① FRONT VIEW



② DETAIL A-1



CUSTOM SIZING AND THICKNESS AVAILABLE
 CUSTOM COLORS AND DESIGNS AVAILABLE
 MULTIPLE ATTACHMENT SYSTEM OPPORTUNITIES

	PROJECT: SPROUT GREEN WALL	SCALED AS NOTED ALL DIMENSIONS + / - 1/16	DATE: 07/09/2021 PRODUCT ID: BIO-SGW-SF96	SHEET 1.1 OF 1.1
---	----------------------------	--	--	-------------------------------