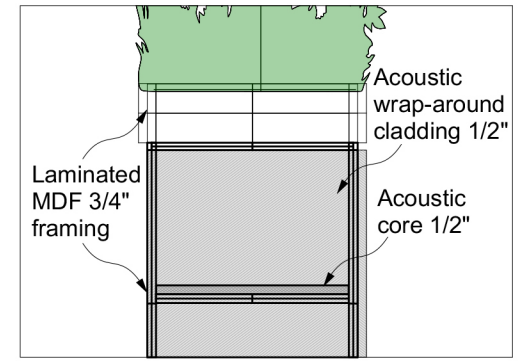
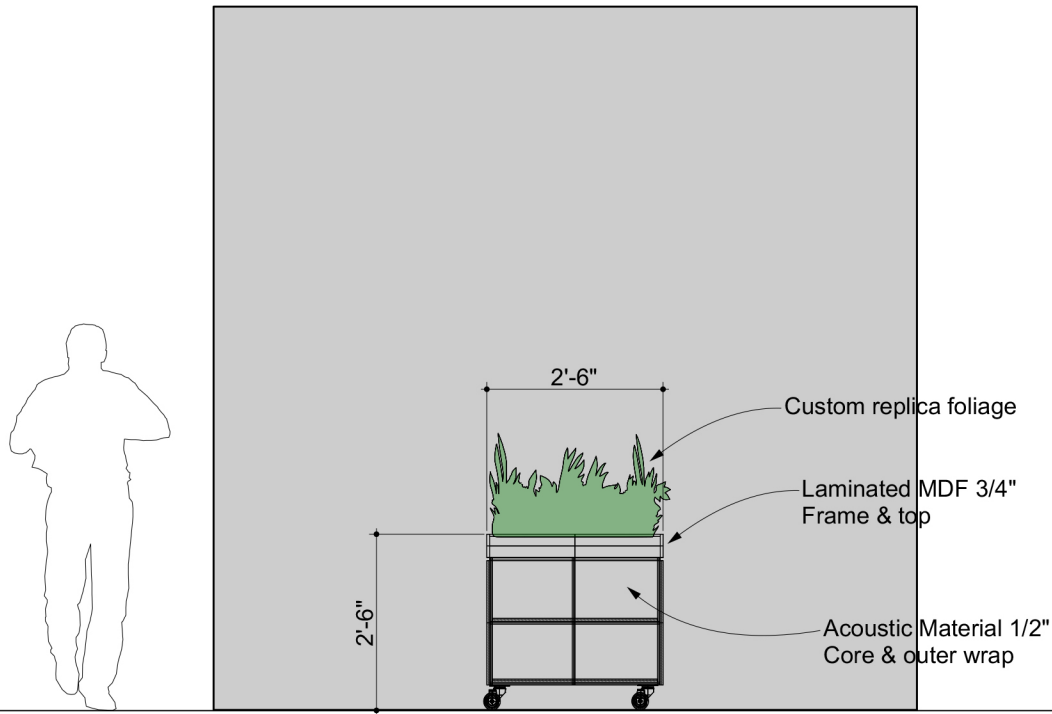


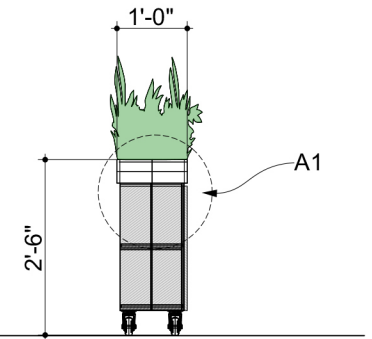
③ TOP VIEW



④ DETAIL A1




① FRONT VIEW



② SIDE VIEW

CUSTOM SIZING AND THICKNESS AVAILABLE  
 CUSTOM COLORS AND DESIGNS AVAILABLE  
 MULTIPLE ATTACHMENT SYSTEM OPPORTUNITIES

	PROJECT: Raised Planter Box	SCALED AS NOTED  ALL DIMENSIONS + / - $\frac{1}{16}$	DATE: 07/14/2021 PRODUCT ID: BIO-RAB-FS	SHEET <b>1.1</b> OF 1.1
---	-----------------------------	--	--	-------------------------------