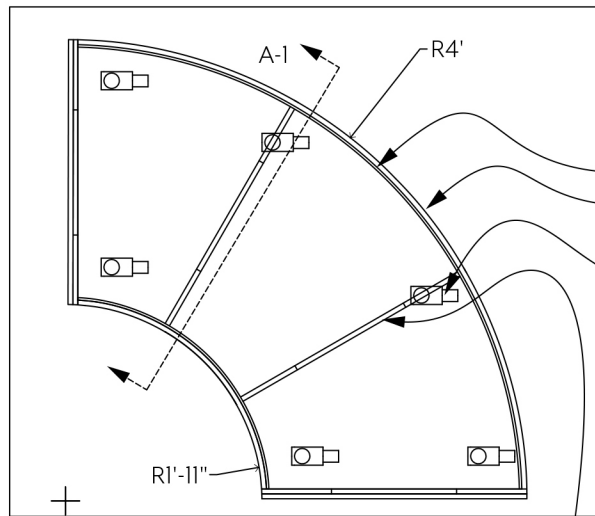
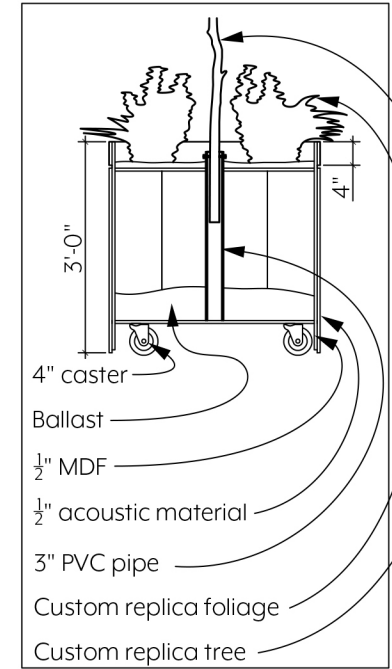


3 TOP VIEW

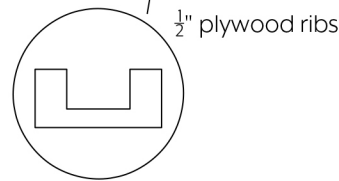


4 A. SEAT TOP REMOVED

1/4" plywood
 1/2" acoustic material
 4" locking rubber casters

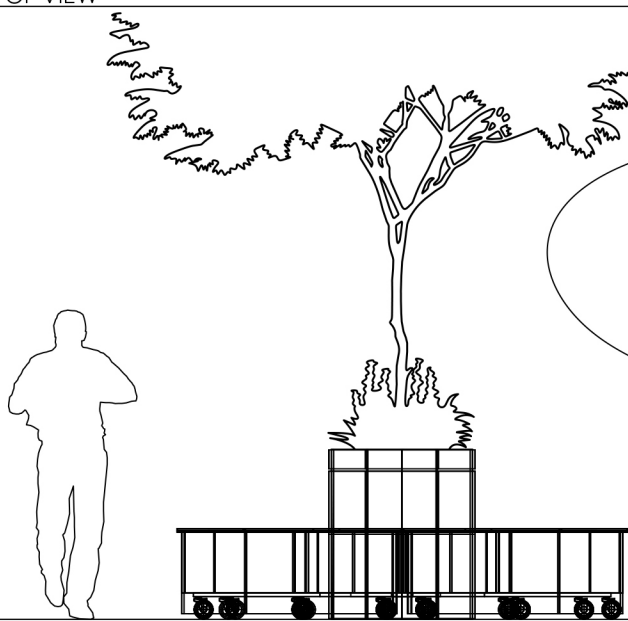


5 SECTION B-1

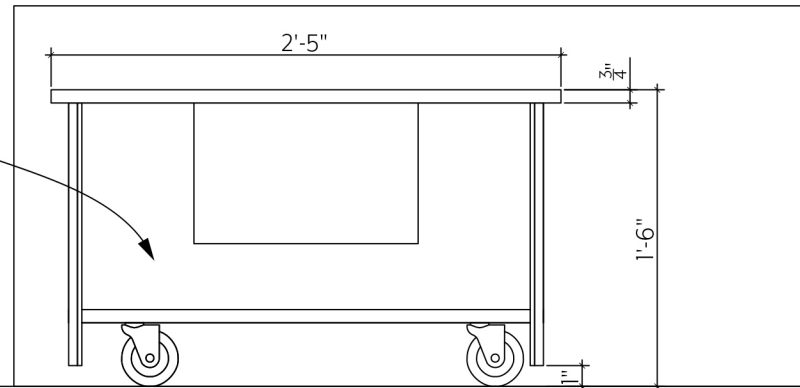


1/2" plywood ribs

4" caster
 Ballast
 1/2" MDF
 1/2" acoustic material
 3" PVC pipe
 Custom replica foliage
 Custom replica tree




1 FRONT VIEW



2 SECTION A-1

CUSTOM SIZING AND THICKNESS AVAILABLE
 CUSTOM COLORS AND DESIGNS AVAILABLE
 MULTIPLE ATTACHMENT SYSTEM OPPORTUNITIES

	PROJECT: RADIAL BENCH	SCALED AS NOTED ALL DIMENSIONS + / - 1/16"	DATE: 07/16/2021 PRODUCT ID: BIO-RAB-FN	SHEET 1.1 OF 1.1
---	-----------------------	---	--	-------------------------------