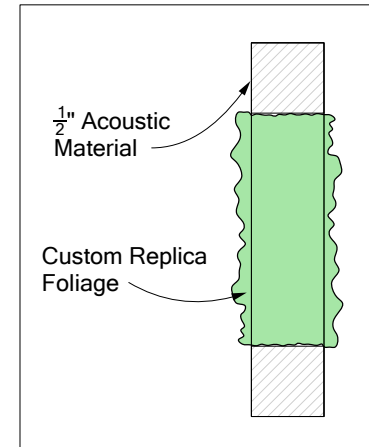
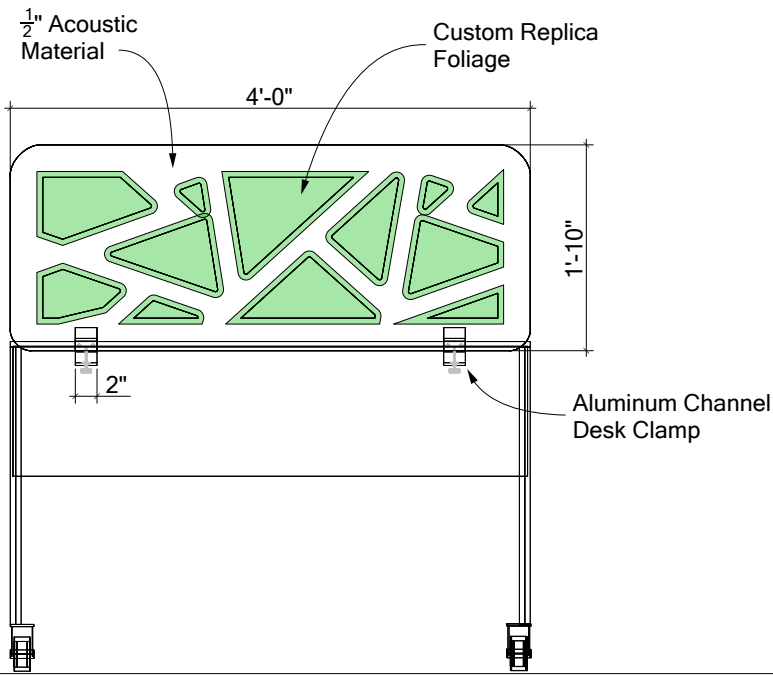
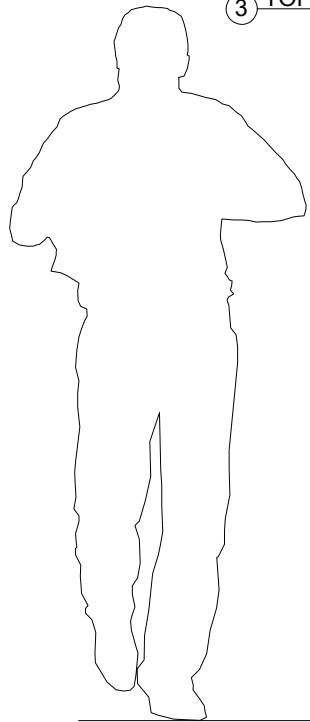


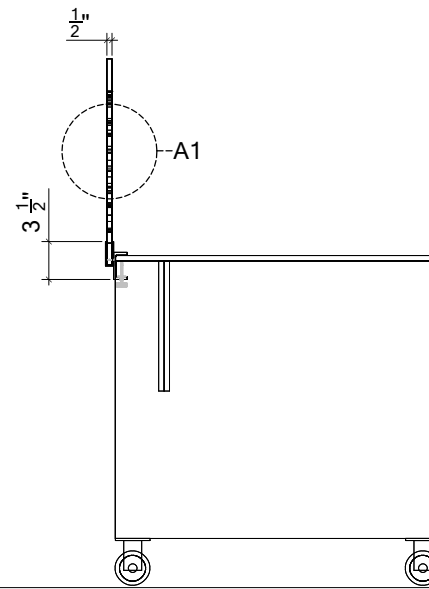
3 TOP VIEW



4 DETAIL A1



1 FRONT VIEW



2 SIDE VIEW

CUSTOM SIZING AND THICKNESS AVAILABLE
 CUSTOM COLORS AND DESIGNS AVAILABLE
 MULTIPLE ATTACHMENT SYSTEM OPPORTUNITIES



PROJECT: GARDEN WALL DIVIDER

SCALED AS NOTED

ALL DIMENSIONS + / - $\frac{1}{16}$

DATE: 07/08/2021
 PRODUCT ID: BIO-GWD-FN

SHEET
1.1
 OF 1.1