

1 FRONT VIEW

CUSTOM SIZING AND THICKNESS AVAILABLE  
 CUSTOM COLORS AND DESIGNS AVAILABLE  
 MULTIPLE ATTACHMENT SYSTEM OPPORTUNITIES

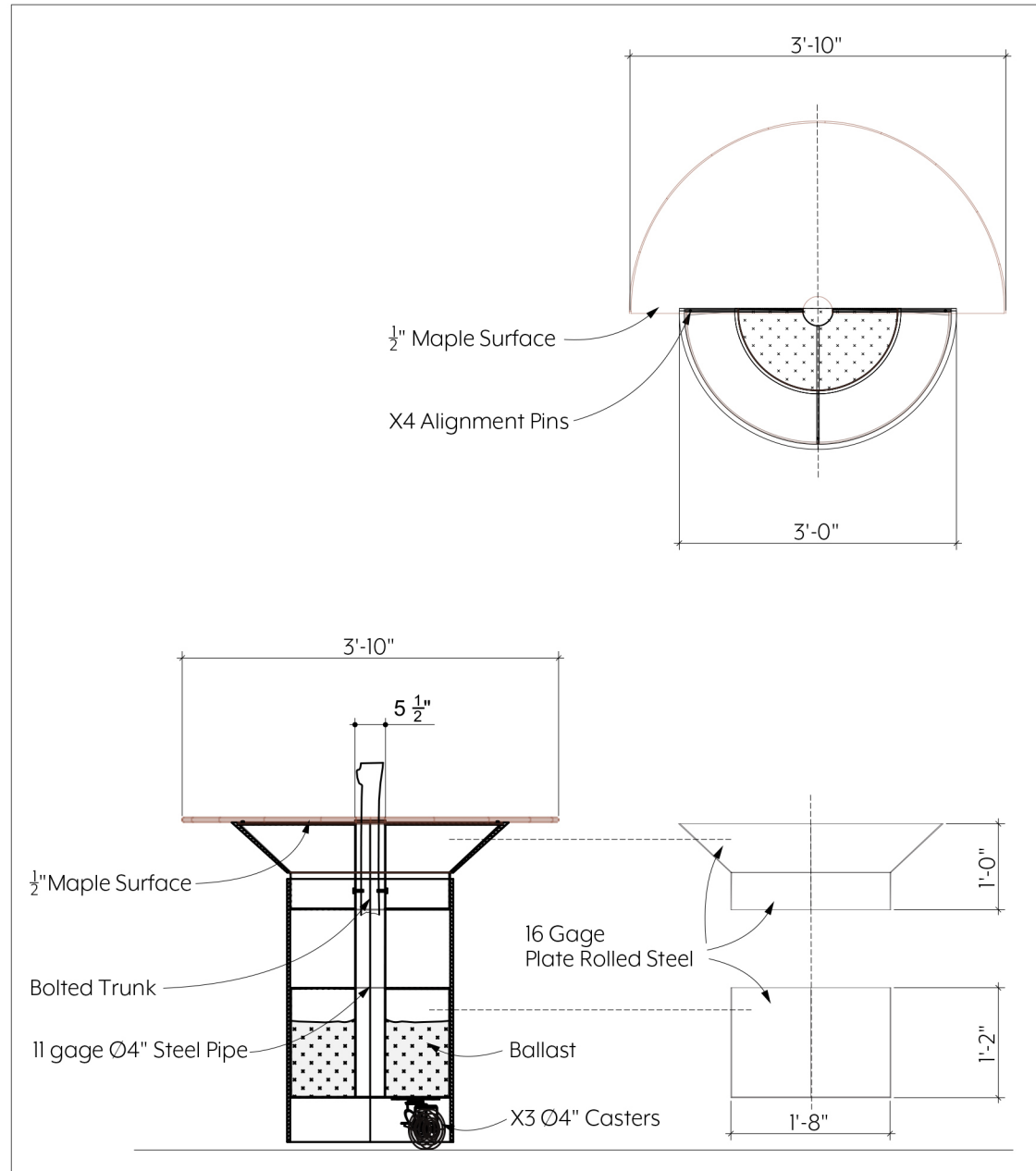


PROJECT: CANOPY PLANTER

SCALED AS NOTED  
 ALL DIMENSIONS + / - 1/16

DATE: 07/15/2021  
 PRODUCT ID: BIO-CAP-FN

SHEET  
 1.1  
 OF 1.1



2 A-1 SECTION VIEW