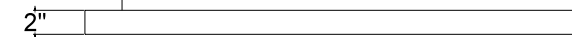
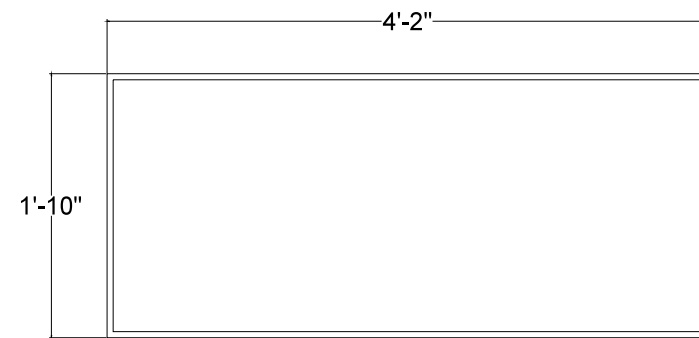
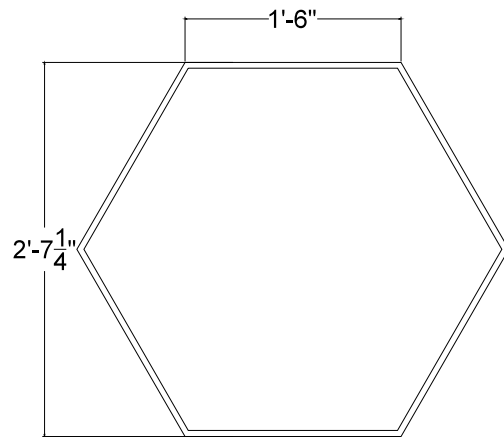


3 SECTION

Scale: 3/4" = 1'-0"

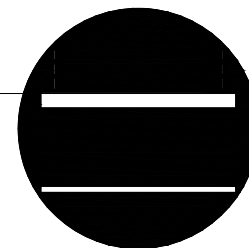


4 ELEVATION

Scale: 3/4" = 1'-0"

PROJECT ADDRESS:
 COMM. #:
 DATE: 24.10.18
 REVISED:
 DRAWN: MK CHECKED: PC

CSI PANEL CUMULUS
 SCALE: 3/4" = 1'-0" WHEN PRINTED 11" X 17"
 NOTE:



SHEET
1.1
 OF 1.1